



**WELDBOT SYSTEMS**

*Creators of Automation...*



# Weldbot Systems Pvt. Ltd.

## About Us

Weldbot Systems Pvt. Ltd. is an India based manufacturing company incorporated in the field of an automation projects and systems. Weldbot systems is a turnkey automation solution provider for an industrial automation needs in the field of an automotive and non-automotive sectors such as a Line automation for assembly, Robotic welding cell lines, Robotic and manual welding fixtures, checking fixtures, Pick and place systems, Conveyors, Various types of Special purpose machines such as welding SPM's, Leakage testing, Hydraulic Press machines, Auto Inspection Gauges.

## Management



**Mr. Ranjit Satpute - Director**



**Mr. Kunal Tapase - Director**

### Vision



To be the best in the field of industrial automation, recognized for the respect of our peoples & ethics of our business practices.

### Mission



To develop and maintain customer relationship by providing exceptional customer value with responsibility & trust.



# Weldbot Systems Pvt. Ltd.

## Our Strength

### ➤ **Experienced Management:**

Over 15 years of experience in the field of an Industrial Automation project development & management.

Area of expertise in Project Management, Design, Manufacturing, Assembly and successful Execution to achieve an ultimate goal of Customer satisfaction.

Well Experienced execution staff to handle critical projects in terms of planning, design, timelines, prove-out & deliverables to achieve the best Quality.

### ➤ **Factory:**

Factory of 6500 Sq. feet area with essential facilities for the execution of various types projects.

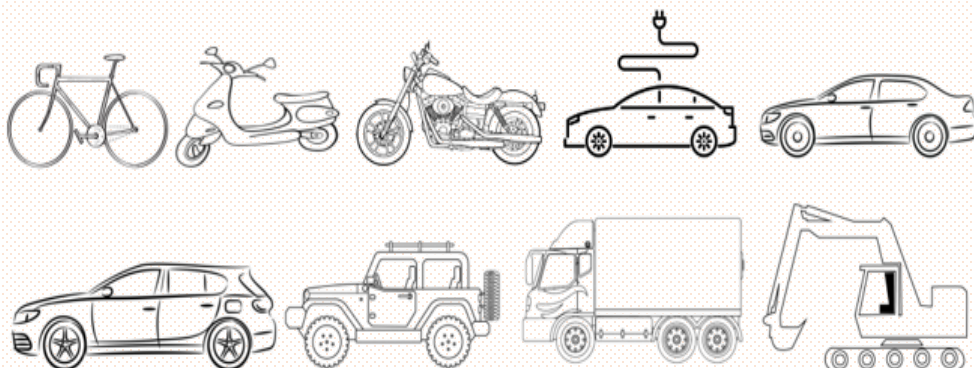
### ➤ **Supplier Partners:**

Well-developed suppliers in the field of manufacturing, brought out parts and other essential engineering services to achieve critical timelines.

## Our Aim

Our Main Aim is to serve benefits to our esteemed customers for their industrial needs and requirements to achieve customer satisfaction is the final outcome for us.

## Application





## Automation & Systems Solutions for Various Components

---

### Two-wheeler Parts

Complete Robotic welding Solution for almost all weldable components such as Chassis Frame, Swing Arm, Fuel Tank, Muffler, Handle, Main Stand, Sari Guard, Carriers etc. and more.



### Four-wheeler Parts

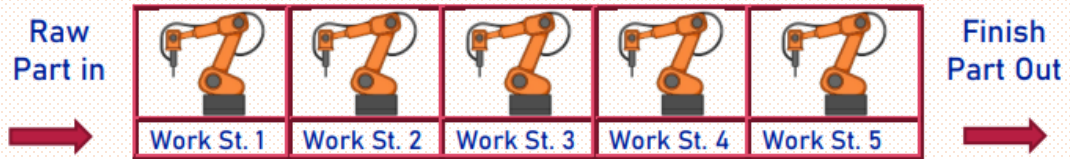
Complete robotic welding Solution for weldable components such as Mufflers, Seat Structures, Front and Rear Axles, Bumpers, CCB, BIW parts etc. and more.





## Line Automation:

- Assembly Lines, Assembly Conveyors, Robotic lines etc.

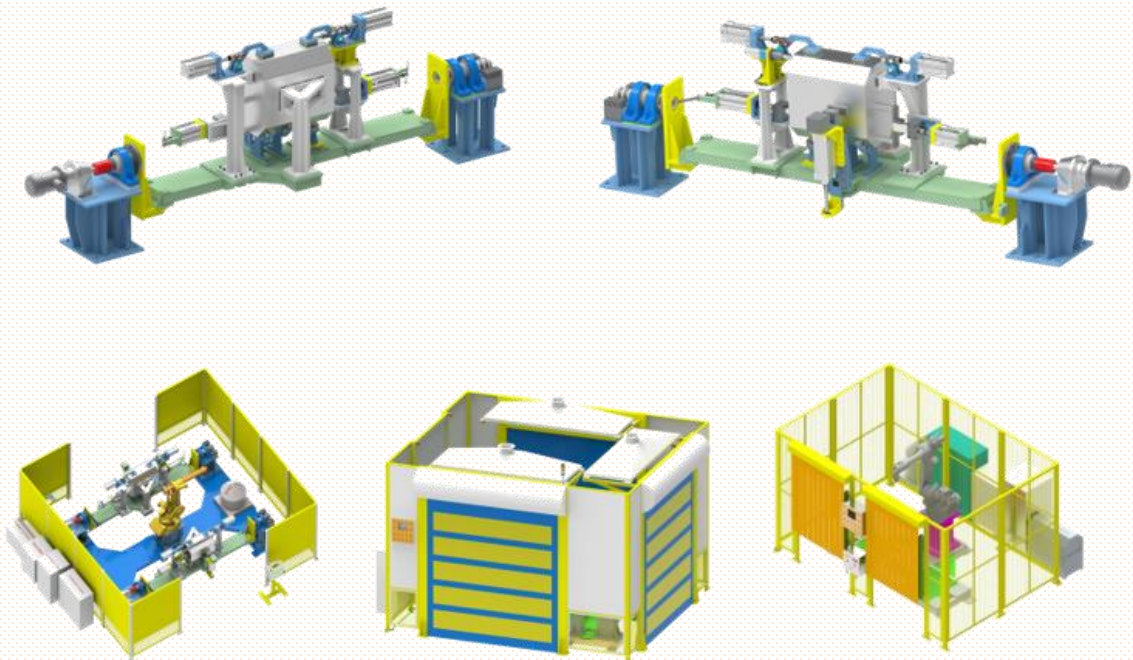


## Robotic Welding Lines (MIG/SPOT/TIG):

- Various types of robotic cells and lines for an automotive and non-automotive parts.

---

## Customized Robotic Welding fixtures and Cells

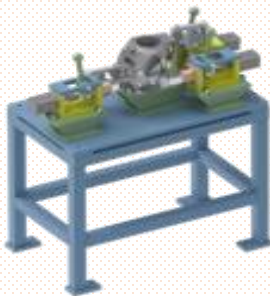




## Special Purpose Machines:

- Multiple types of welding SPM's, Drilling SPM, Hydraulic Press Machines, Leakage Testing SPM, Machining Fixtures, Riveting SPM, Inspection Systems etc & more.

## Customized SPM



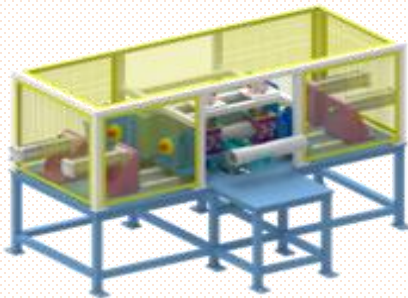
Bush Press SPM



Iron ore filling SPM



Pipe facing SPM



Plastic Pipe Sizing SPM



Small Parts Washing & Drying SPM



Pipe Sizing SPM



Robotic Special Coating

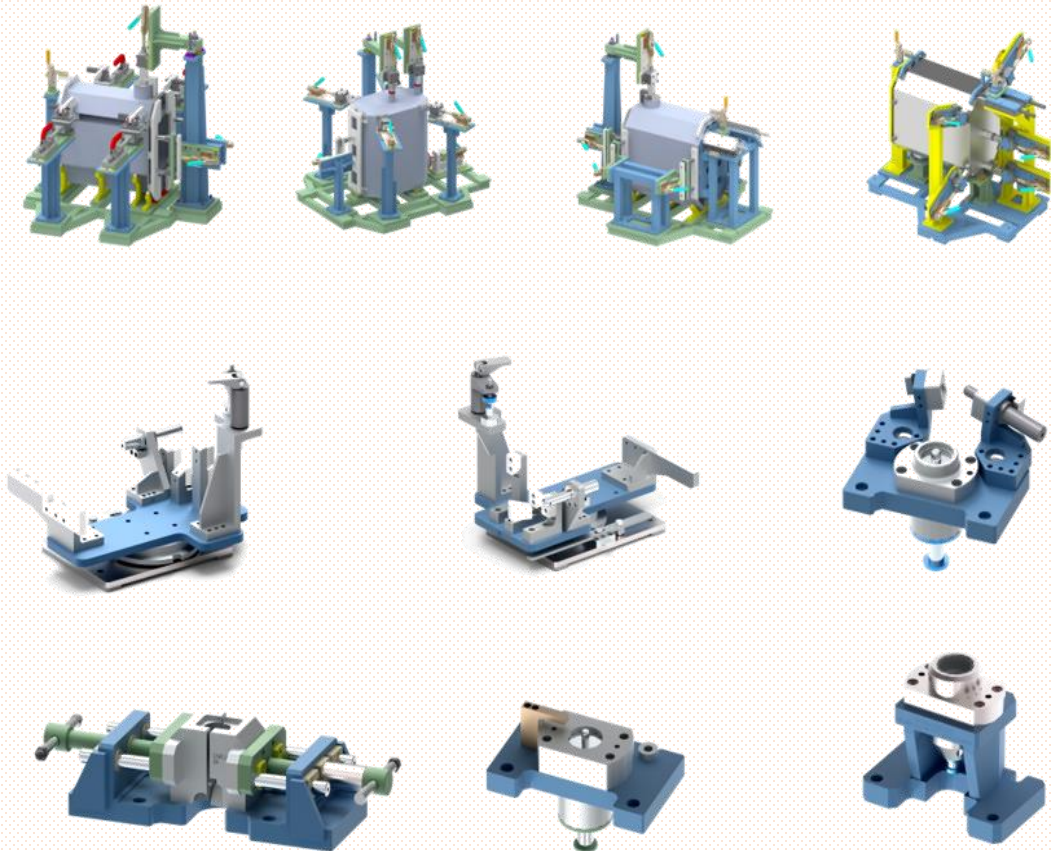


## Manual Welding & Assembly Fixtures:

- Complete solution for Multiple types of Manual & Assembly Fixtures such as Gear box, Axle, various types of assembly pallets for conveyors etc. & more.

---

## Manual welding & Assembly Fixtures

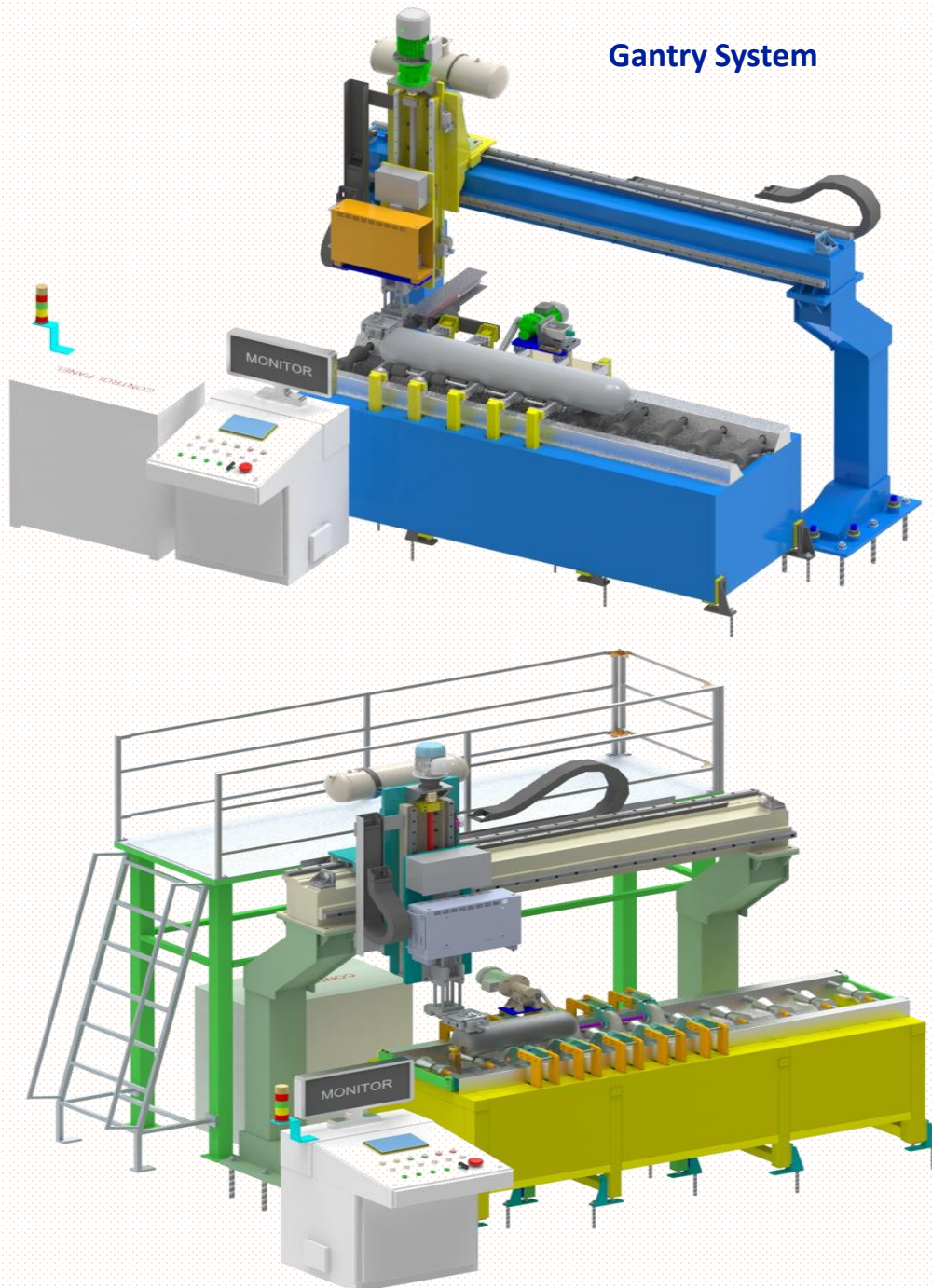




## Pick & Place Systems:

- Gantry systems, Pneumatic grippers, JIG Boom, Tackles etc.

## Pick & Place Systems





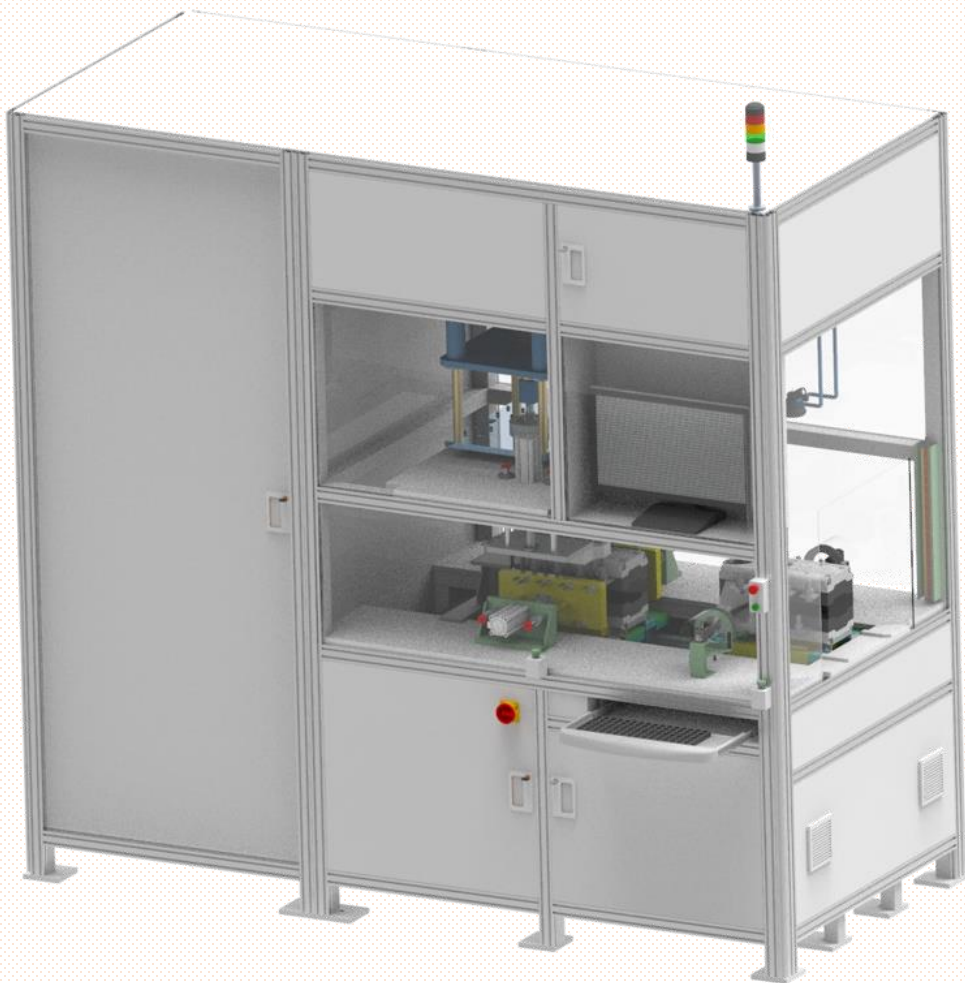


## Auto Inspection Gauges, Auto Testing & Inspection machines:

- Complete solution for multiple types of Auto Inspection Gauges.

---

## Modules for Auto Inspection Gauges, Auto Testing & Inspection machines

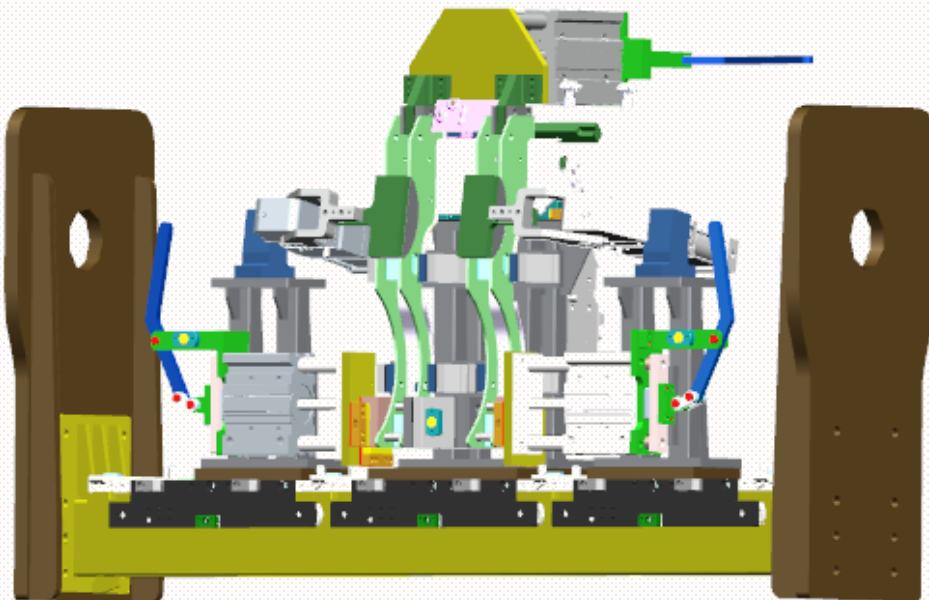
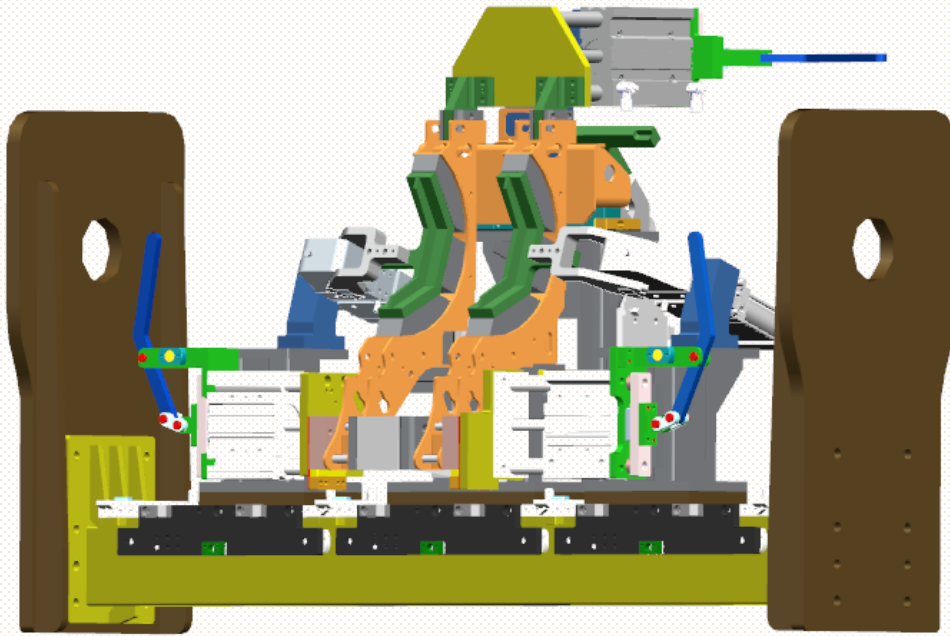




## Accomplishment:

---

### Robotic Welding Fixtures:

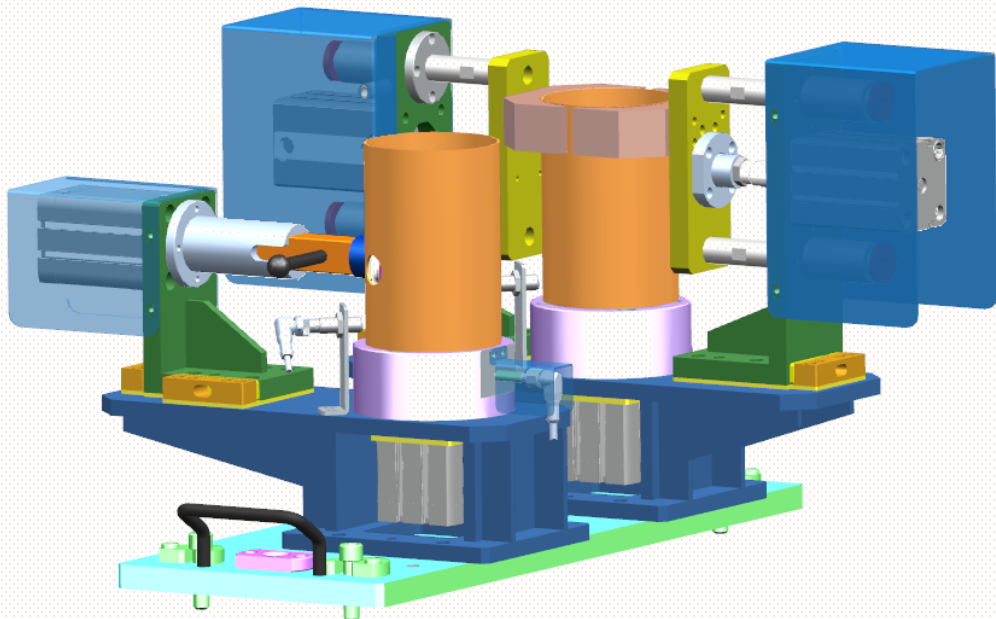




## Accomplishment:

---

## Robotic Welding Fixtures:

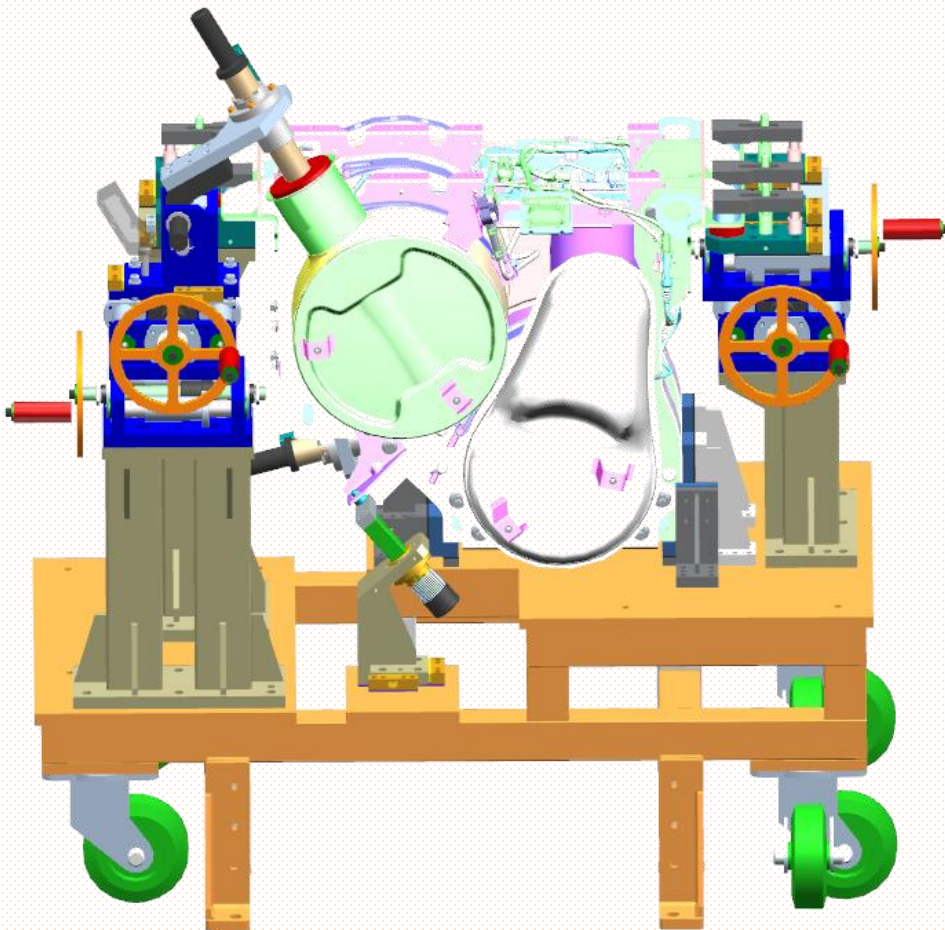




## Accomplishment:

---

### Inspection and Revising Fixtures:

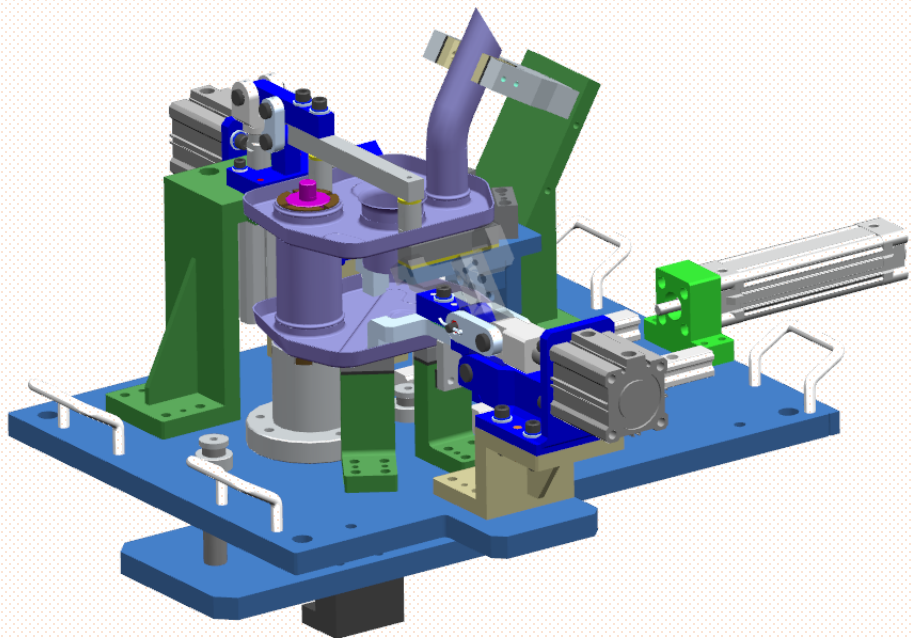
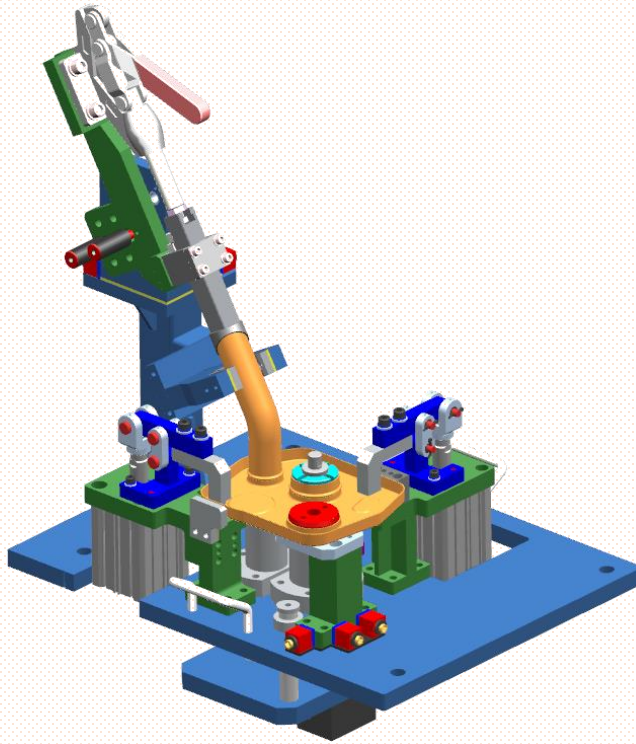




## Accomplishment:

---

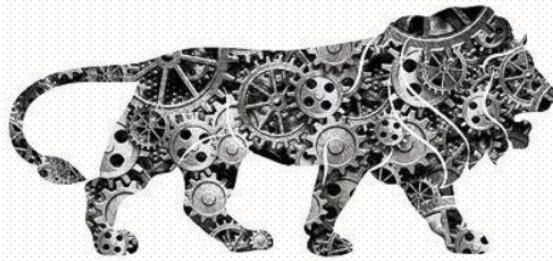
### SPM fixtures:





## Contacts

- **Regd. Office:** C 203, Renuka Gloria, Ravet, Pune 412101
- **Work Address:** Survey No. 37, Near Bharat Petrol Pump, Gatha mandir bypass, Dehu, Pune 412109
- **Email:** [marketing@weldbotsystems.com](mailto:marketing@weldbotsystems.com)
- **Contact Number:** +91 9607687577, +91 9923937196



**Thank You!!**